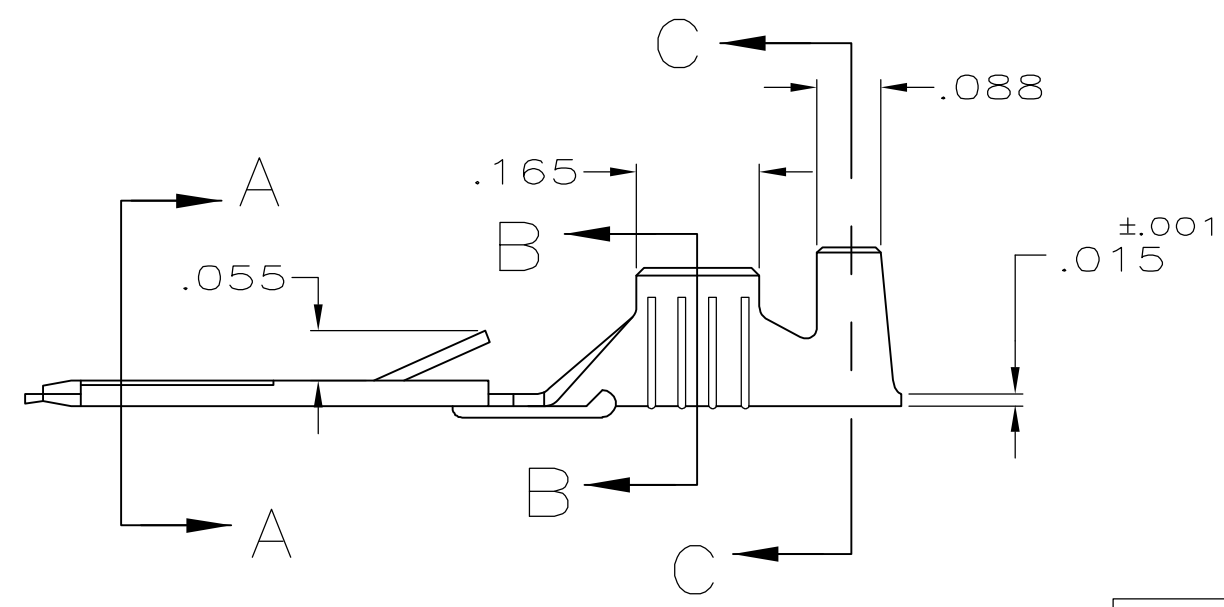
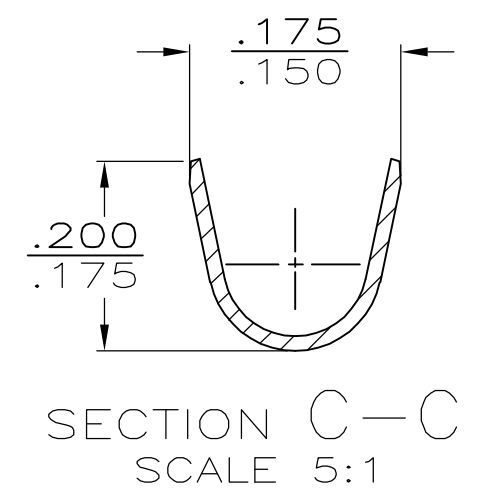
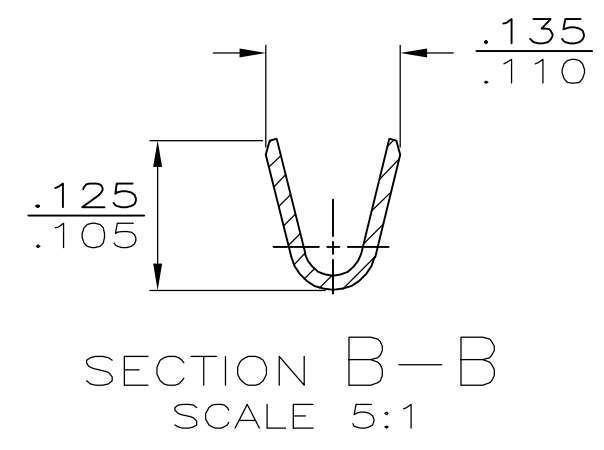
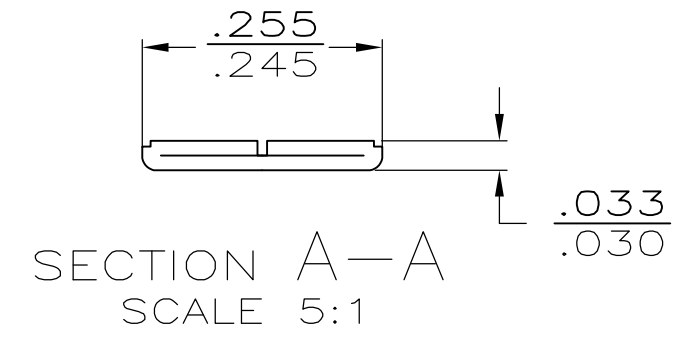
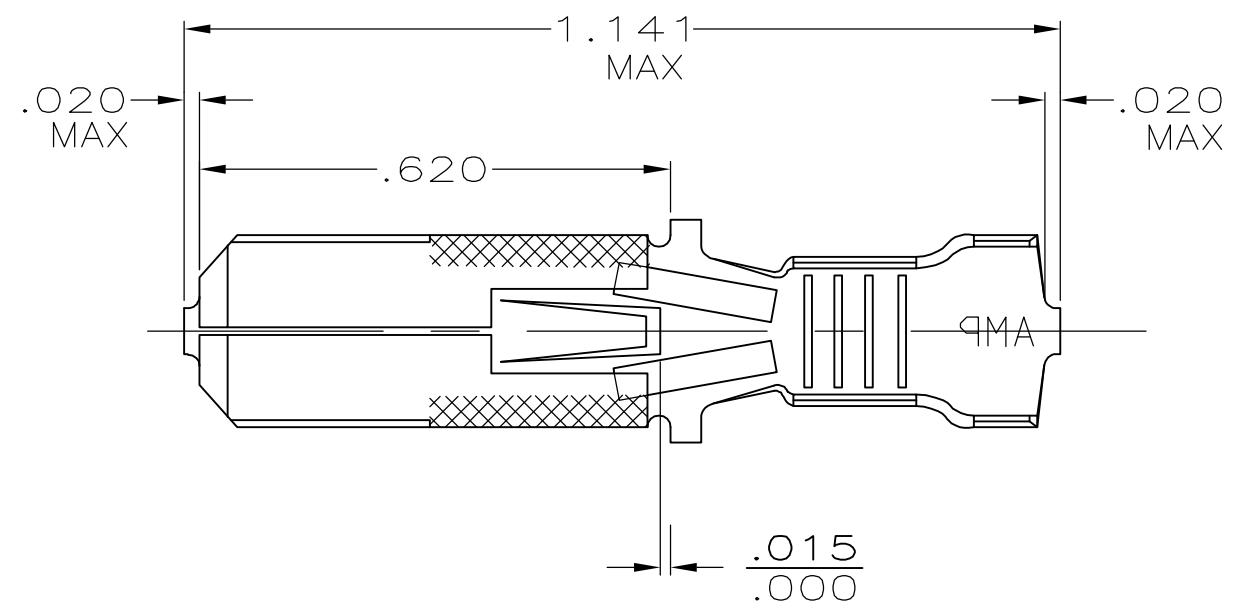


THIS DRAWING IS UNPUBLISHED. RELEASED FOR PUBLICATION
 © COPYRIGHT BY TYCO ELECTRONICS CORPORATION. ALL RIGHTS RESERVED.

LOC	DIST	REVISIONS			
P	LTR	DESCRIPTION	DATE	DWN	APVD
AF	50	D	REV PER ECR 05-017609	27MAR06	JR KR

1 SUPPLIED IN LOOSE PIECE



60294-2	.085-.125 DIA	#22-#18 AWG	61316-1
STRIP FORM	INSULATION RANGE	WIRE SIZE	PART NO.

THIS DRAWING IS A CONTROLLED DOCUMENT.		DWN JR RUTH 3/2/93	Tyco Electronics Corporation Harrisburg, PA 17105-3608	
DIMENSIONS: INCHES		CHK MS FEHER 3/2/93		
TOLERANCES UNLESS OTHERWISE SPECIFIED:		APVD J GILLESPIE 3/2/93	NAME TAB, FASTIN-FASTON, .250 SERIES	
0 PLC ± - 1 PLC ± - 2 PLC ± - 3 PLC ± .015 4 PLC ± - ANGLES ± -		PRODUCT SPEC -	RESTRICTED TO -	
MATERIAL 082 BRASS		FINISH .000080 MIN TIN	APPLICATION SPEC -	SIZE A3
CUSTOMER DRAWING		WEIGHT -	CAGE CODE 00779	DRAWING NO C-61316
		SCALE 4:1		SHEET 1 OF 1
				REV D